

## ■ Standard / Universal Ku-band **100W** BUC (SSPA)

### MODEL No. **NJT5326/56** series

#### < Features >

- \* **Solid State Power Amplifier (SSPA)**
- \* **High Efficiency & Low Distortion**
  - Psat: +50 dBm min. over temperature
  - P1dB: +49 dBm min. over temperature
  - IM3: -25 dBc max. @ Pout = +46 dBm
  - Power Consumption: 650 W
- \* **RF Frequency Band Line-up:**
  - Standard Ku-band: 14.00 to 14.50 GHz
  - Universal Ku-band: 13.75 to 14.50 GHz
- \* **AC Power Operating**
- \* **Analog & Digital (RS-485) M&C**
- \* **Compact Size & Light Weight**
  - Dimension: 374.7 x 203.2 x 130 mm
  - Weight: 11.5 kg



#### < Line-Up >

Model No.	RF Frequency	Local Frequency	IF Frequency	Saturated Output Power	Power Supply
<b>NJT5326N</b>	<b>14.00 to 14.50 GHz (Standard Ku-band)</b>	<b>13.05 GHz</b>	<b>950 to 1,450 MHz</b>	<b>100 W Saturation (+50 dBm nom.)</b>	<b>90 to 240 V AC Power</b>
<b>NJT5356N</b>	<b>13.75 to 14.50 GHz (Universal Ku-band)</b>	<b>12.80 GHz</b>	<b>950 to 1,700 MHz</b>		

#### < Specifications >

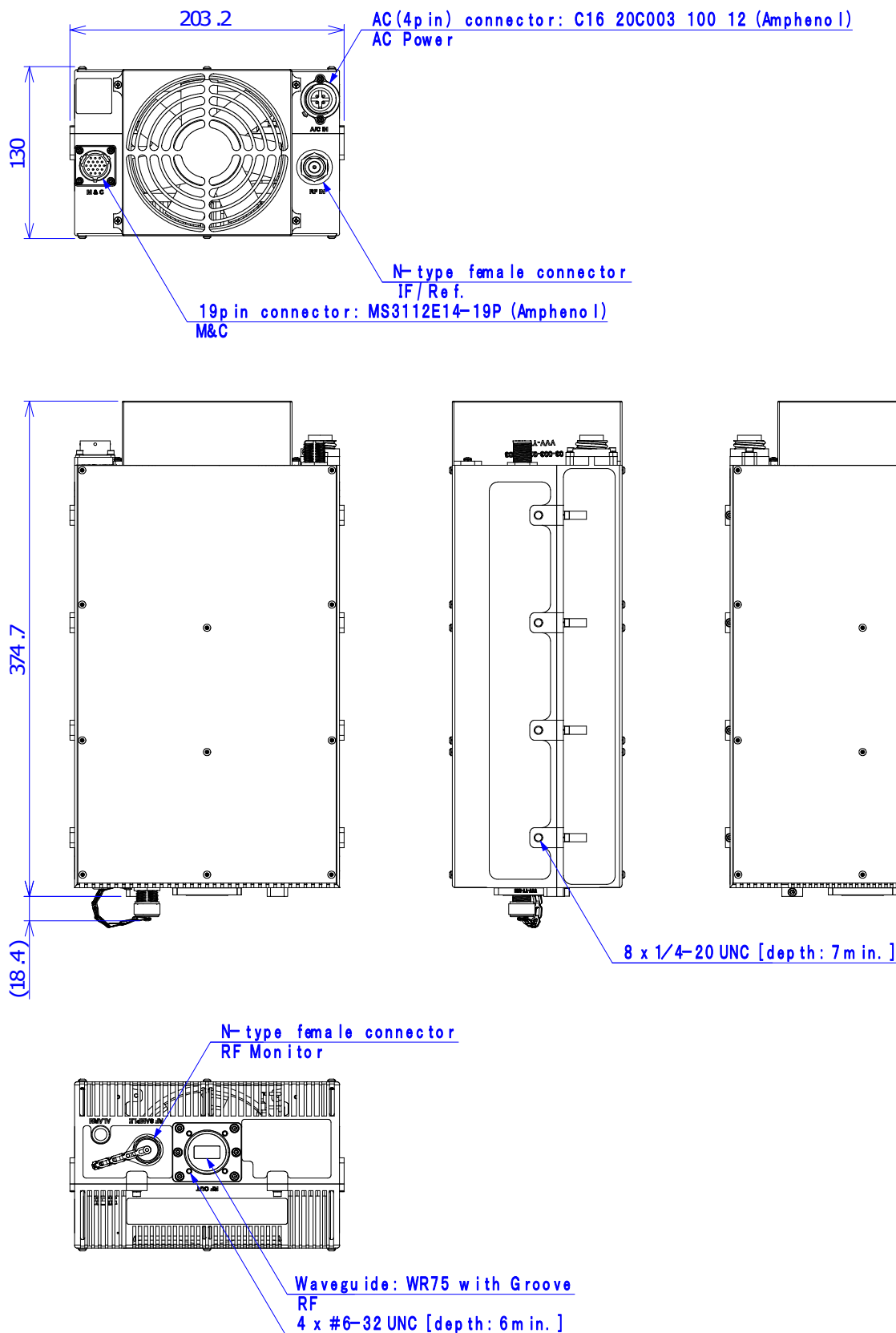
Item	Specifications
Output Interface	Waveguide, WR75 with Groove
Input Interface	[IF / Ref.] N-type, female connector (50 ohm)
	[Power] 4 pin Amphenol connector
	[M&C] 19 pin MS connector
Saturated Output Power	+50 dBm (100 W) nominal
Output Power @ 1dB G.C.P.	+49 dBm (80 W) min. over temperature
Linear Gain	70 dB nom.
IM3	-25 dBc max. @ total power = +49 dBm - 3 dB
ACPR	-30 dBc typ. at 1.0 symbol rate offset @ Pout = +47 dBm with QPSK / OQPSK
Requirement for External Reference	[Frequency] 10 MHz (sine-wave)
	[Input Power] -5 to +5 dBm @ Input port
	[Phase Noise] -125 dBc/Hz max. @ 100 Hz, -135 dBc/Hz max. @ 1 kHz, -140 dBc/Hz max. @ 10 kHz
L.O. Phase Noise	-60 dBc/Hz max. @ 100 Hz, -70 dBc/Hz max. @ 1 kHz
	-80 dBc/Hz max. @ 10 kHz, -90 dBc/Hz max. @ 100 kHz
	Compliant with IESS-308
Receive Band Noise Density	-156 dBm/Hz max. @10.95 to 12.75 GHz
V.S.W.R.	[Input] 2 : 1 max. [Output] 1.3 : 1 max.
Power Requirement / Consumption	90 to 264 VAC / 600 W typ., 630 VA typ. @ Pout = +49 dBm
Monitor and Control	[Analog] Function: Summary Alarm, Tx Control Enable/Disable
	[Digital] Interface: RS-485 (Option: RS-232C / Ethernet)
	Function: RF Power Monitor, Alarm(Summary, Local Unlock, Over Temp.) TX ON/OFF, Step Attenuator
Temperature Range (ambient)	Operating: -40 to +60 C Storage: -40 to +75 C
IP Code (IEC 60529)	IP55 (Dustproof / Waterproof)
Cooling	Forced Air by Fan
Dimension & Housing	374.7 mm (L) x 203.2 mm (W) x 130 mm (H) [14.75" (L) x 8.00" (W) x 5.12" (H)]
Weight	10.0 kg [22 lbs]

# NEW PRODUCTS

## Standard / Universal Ku-band **100W** BUC (SSPA)

MODEL No. **NJT5326/56** series

### < Outline Drawing >



\*Note: The contents of this sheet are subject to change without notice.